

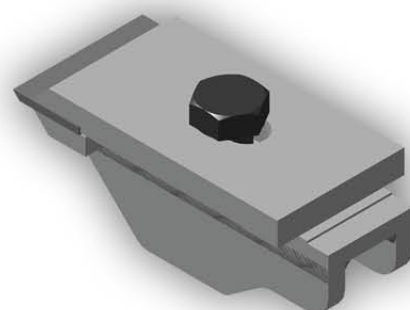
## chipper knives



### for Heizohack



**KFM007**  
92x50x5mm



KingKong-Tools  
clamping wedge (KFM018)  
and holder (KFM019)  
for Heizohack chippers

### for Jenz



**JENZ/5**  
108x50x5mm



**JENZ/7/60**  
108x60x7mm



### for Wüst



**KFM012**  
225x170x20mm

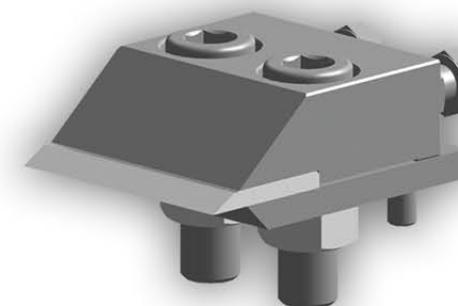


**Heizohack**  
90x190x18mm

**More chipper knives  
and dimensions  
upon request**

### New:

KingKong-Tools  
holder system  
for Jenz  
wood chippers

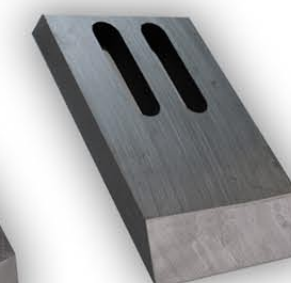


including:  
clamping wedge (KFM023), clamping plate (KFM024),  
blade (JENZ/7/60) and matching bolts, nuts, and  
washers

### for Eschböck

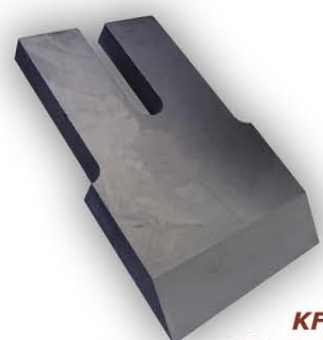


**Eschböck**  
140x230x18mm



**KFM016**  
124x192x18mm

### for Mus-Max



**KFM003**  
164,5x235x20mm



**KFM004**  
140x220x20mm

### for Starchl



**Starchl**  
120x205x18mm



**Starchl/2**  
200x205x18mm

### for Doppstadt



**KFM010**  
220x220x20mm

### for Bruks



**Bruks**  
800x185x16mm

**Hotline**  
**+49 (0)7422/270099-100**