

Teeth for wood grinders

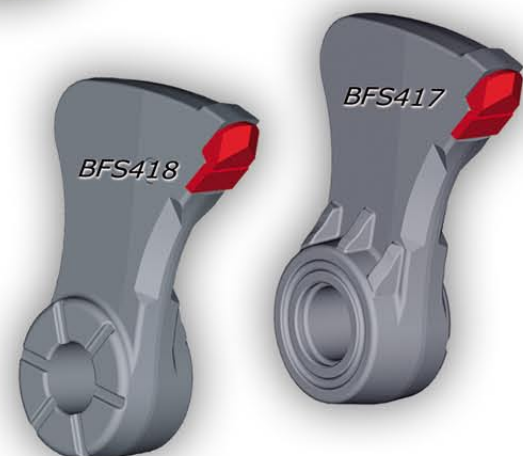
Teeth for wood grinders



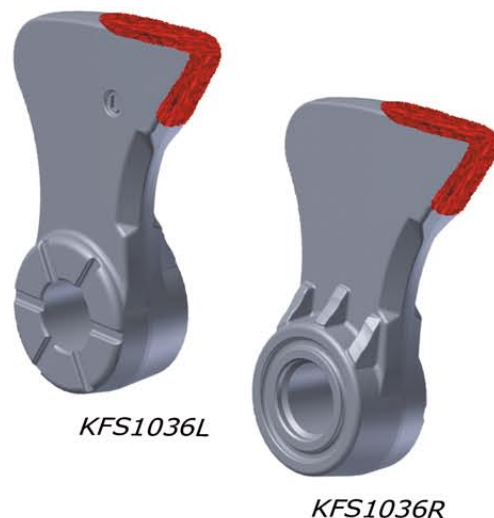
for Willibald



carbide tipped teeth
available in
different styles

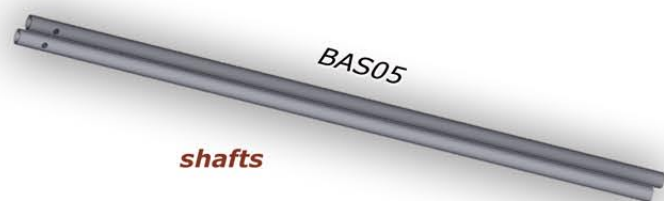


teeth with
carbide
hardfacing



KFS1036L

KFS1036R



shafts



side cleaners
carbide protected

The right hammer for all applications:

KFS1036 R/L

KingKong-Tools standard hammer with carbide hardfacing.
Special tungsten grit powered by King Grit™.

Recommended application:

- waste wood
- contaminated material



BFS417 / BFS418

KingKong-Tools standard hammer with solid tungsten carbide.

Recommended application:

- stumps and logs
- abrasive applications

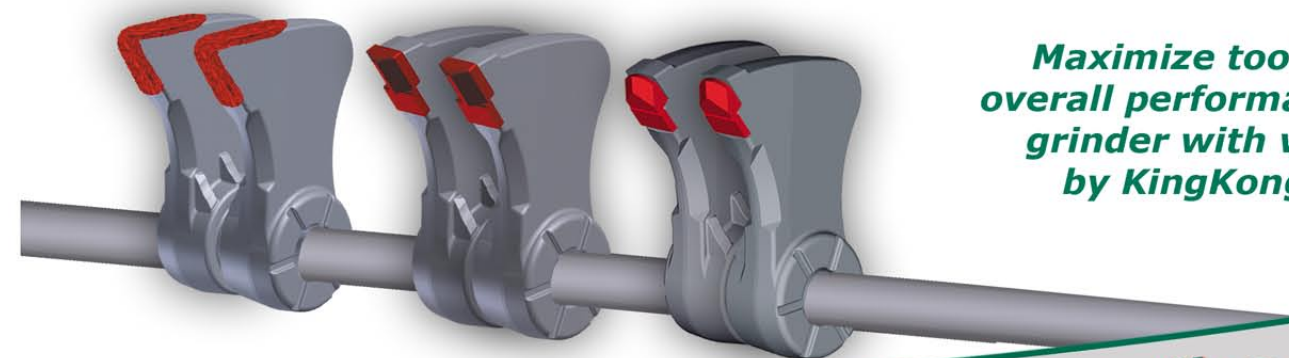


BFS266 / BFS267

KingKong-Tools standard hammer with solid tungsten carbide and additional carbide protection.

Recommended application:

- composting
- soil & sand contaminated material
- to position at side of drum



Maximize tool life and
overall performance of your
grinder with wearparts
by KingKong-Tools.

Hotline
+49 (0)7422/270099-100